

Metal Pendulum Swing J444A

Play Value



Swinging



Social Play



Role Play



Balancing



Coordination



Resting

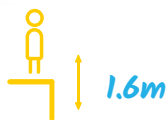


Ages: 2+

Users: 5

Play Values: 6

Play Elements: 1



Maximum fall height



Inclusive

Description

The Pod Swing encourages group play and social interaction. Children can work together to swing as high as possible, make new friends and see how many of them can fit in the pod at once.

Swings combine **motor coordination** and **sensory stimulation** and develop the **sensation of feeling the body move in space**.

The pod bowl is 1m wide allowing a parent or carer to swing alongside a child.

Inclusive Elements



The swinging motion has a calming influence for children with learning difficulties.



Swinging has a positive effect on the inner ear of children with hearing impairments.







The large pod seats allows either a seated or lying position. It offers a large supportive surface for children with less developed muscle tone. It offers open space and height suitable for easy wheelchair transfer.



Retention in position is essential to reassure children with visual or postural impairments and prevent any risk of being thrown out of the equipment. The seats are therefore a wraparound pod tyre design to ensure the back is in the correct position providing body stability during play.



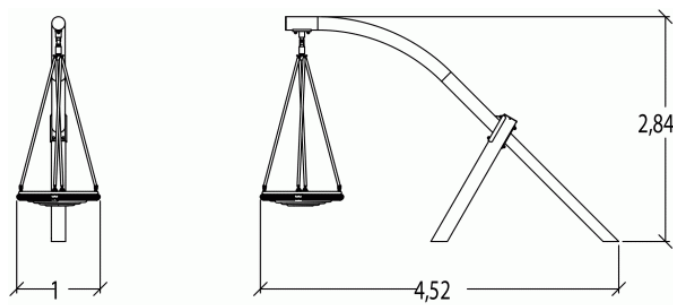
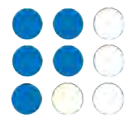
 **2+**
 **5**
 **1,6m**



 1 = 4,55m
 2 = 1,1m
 3 = 2,84m



Motor inclusion
 Sensory inclusion
 Mental inclusion



Play value : **4**

meeting



x1

swinging



x1

balancing



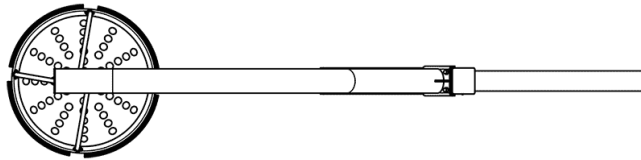
x1

rotating



x1

Components



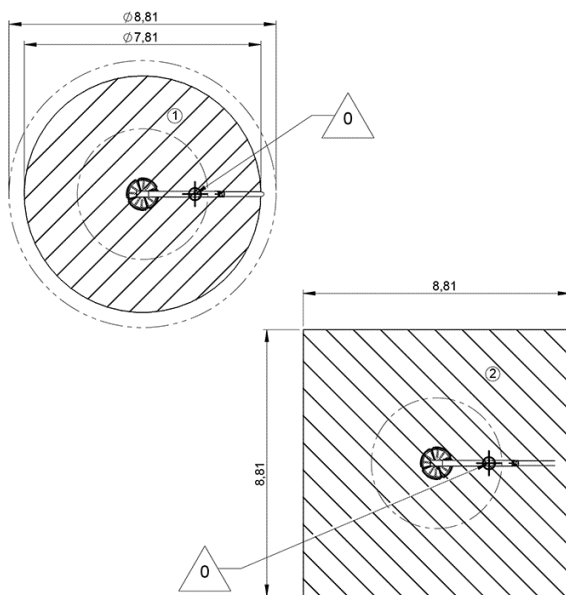
Installation of equipment

Impact area =

 Impact area
 Free space

 Zone d'Impact Sol souple
Impact Area Wetpour
Area de Impacto
Fallraum bei synthetischem Fallschutz

 Zone d'Impact Sol fluent
Impact Area Loose particle material
Arenero
Fallraum bei losem Bodenmaterial



	
1	1,6m
	48m ²



3



03h00



1.92m³



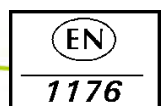
48m²



372kg



127kg



Flat Seat Swings J472A

Play Value



Swinging x2



Social Play



Role Play



Coordination



Balancing



Ages: 3+
Users: 2

Play Values: 6
Play Elements: 2



Maximum fall height



Inclusive

Description

Generations of children have enjoyed swings and although their colours have become brighter, their materials more robust, the principle has remained the same.

Swings provide the most popular sensations. Swinging combines motor coordination and sensory stimulation and develops the sensation of feeling the body move in space.

Inclusive Elements







The swinging motion has a calming influence for children with learning difficulties.



Swinging has a positive effect on the inner ear of children with hearing impairments.



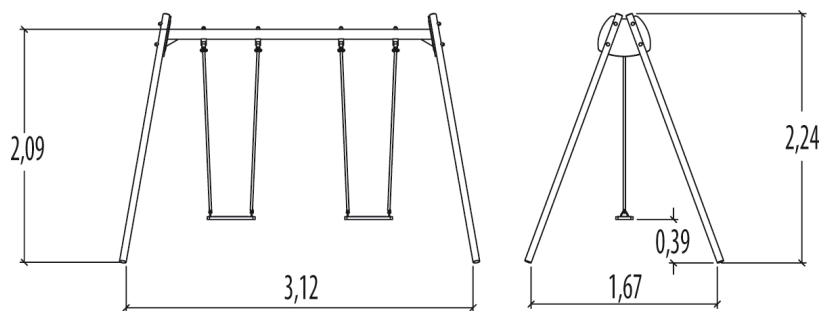
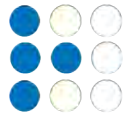
 **2+**
 **2**
 **1,2m**



1 = 3,33m
2 = 1,86m
3 = 2,2m



Motor inclusion
 Sensory inclusion
 Mental inclusion



Play value : **2**

meeting



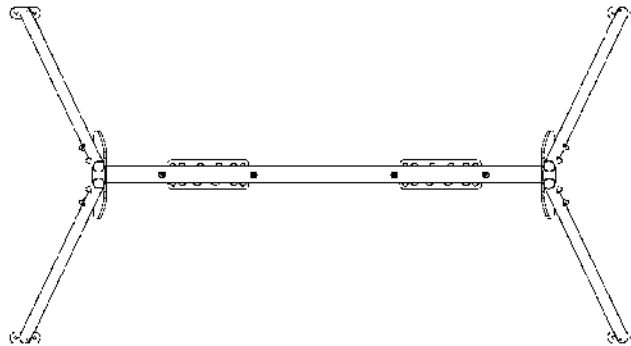
x1

swinging



x1

Components



Installation of equipment

Impact area =

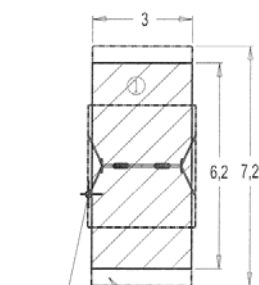
 Impact area
 Free space



Zone d'Impact Sol souple
Impact Area Wetpour
Area de Impacto
Fallraum bei synthetischen Fallschutz

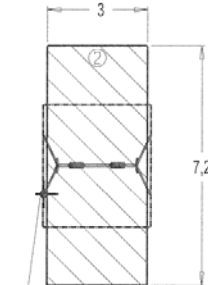


Zone d'Impact Sol fluent
Impact Area Loose particle material
Arenero
Fallraum bei losen Bodenmaterial



 Point de Référence
Setting Out Point
Punto de referencia
Bezugspunkt

Espace de dégagement
Space release



 Point de Référence
Setting Out Point
Punto de referencia
Bezugspunkt



1	1,20m	19m ²
2	1,20m	22m ²



2



01h50



0.11m³



19m²



96kg



30kg

EN

1176

Cradle Seat Swings J474A

Play Value



Swinging x2



Social Play



Role Play



Coordination



Balancing



Resting



Ages: 1+

Users: 2

Play Values: 7

Play Elements: 2



Maximum fall height



Inclusive

Description

Generations of children have enjoyed swings and although their colours have become brighter, their materials more robust, the principle has remained the same.

Swings provide the most popular sensations. Swinging combines motor coordination and sensory stimulation and develops the sensation of feeling the body move in space.

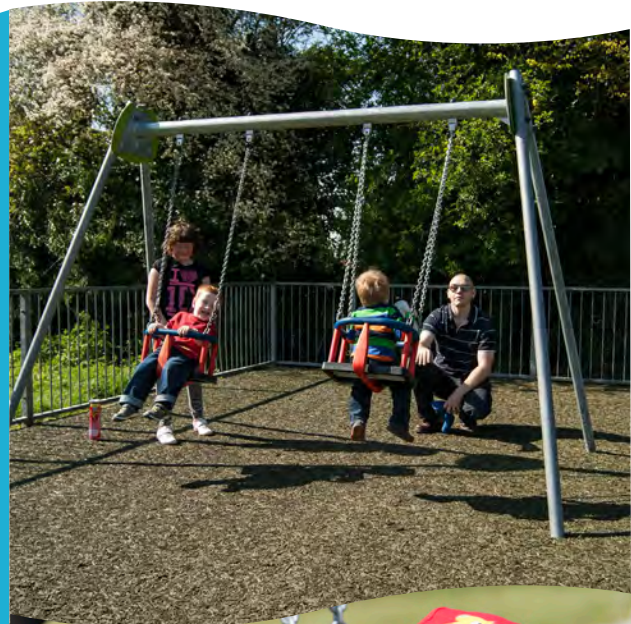
Inclusive Elements







The swinging motion has a calming influence for children with learning difficulties.



Swinging has a positive effect on the inner ear of children with hearing impairments.

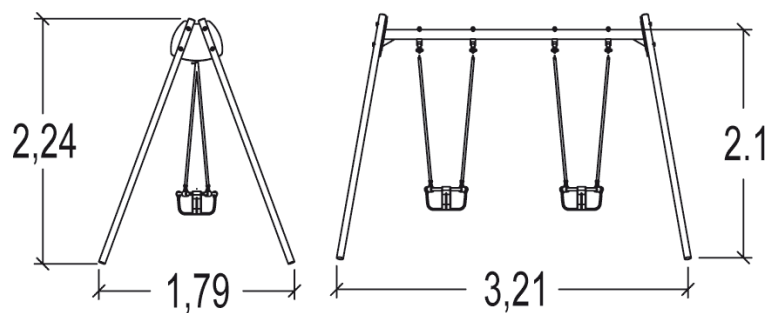
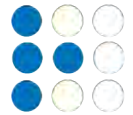


 **1-3**
 **2**
 **1,2m**


 1 = 3,21m
 2 = 1,79m
 3 = 2,24m



Motor inclusion
 Sensory inclusion
 Mental inclusion



Play value :

3

meeting



x1

resting



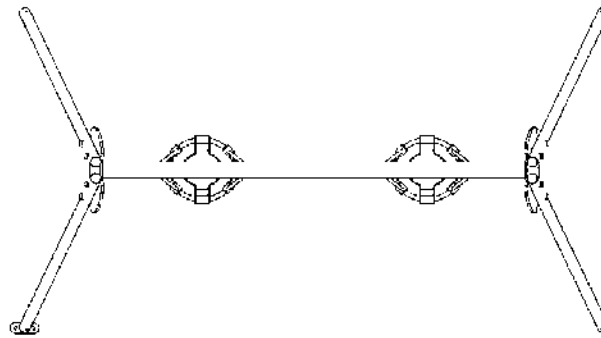
x1

swinging



x1

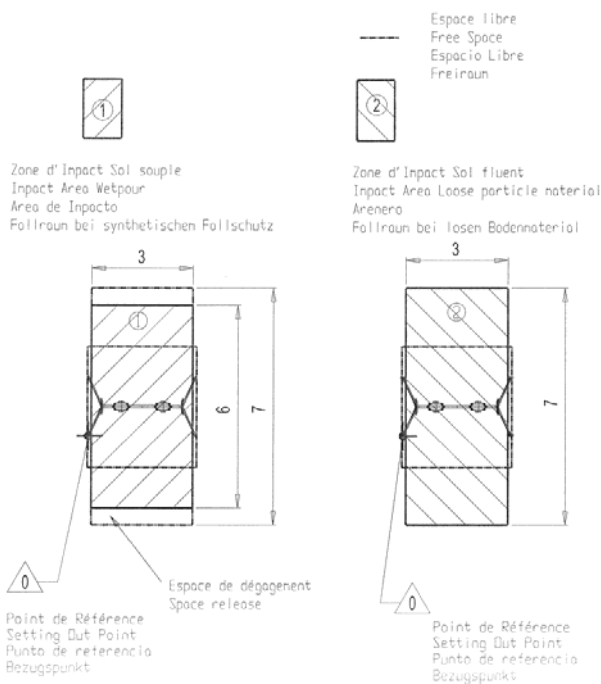
Components





Installation of equipment

Impact area =

 Impact area
 Free space



		
1	1,2m	18m ²
2	1,2m	21m ²



2



01h30



0.11m³



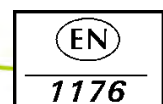
18m²

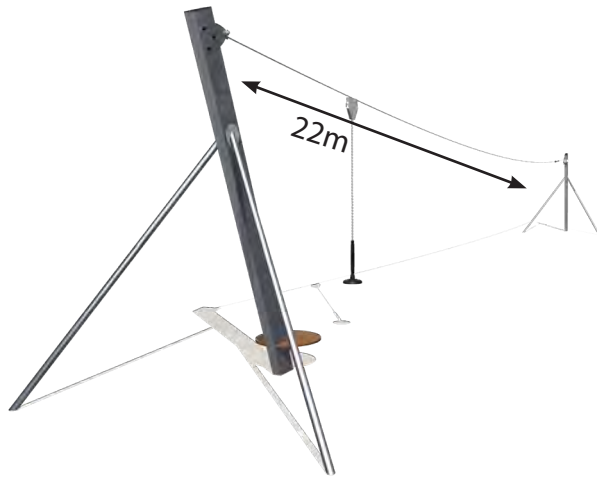


102kg



30kg





Play Value



Balancing



Social Play



Hanging



Coordination



Gliding



Crossing

Ages: 4+
Users: 1

Play Values: 6
Play Elements: 1



Maximum fall height



Inclusive

Description

The Cableway allows children to test their speed and strength. It has two beams 22m apart which children can glide from one end to the other with fascination and excitement.





A platform offers users extra support assisting them in climbing onto the seat and gives them a push of speed to help them reach the opposite end. The rubber seat is constructed from a honeycomb structure with shock absorbing properties to protect the user and add extra comfort whilst gliding.

Inclusive Elements



The gliding motion has a positive effect on the inner ear of children with hearing impairments.



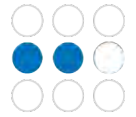





4+ 1 1m

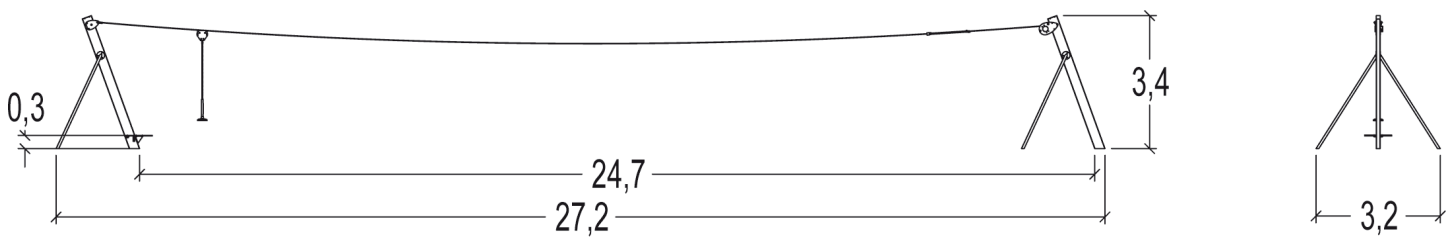
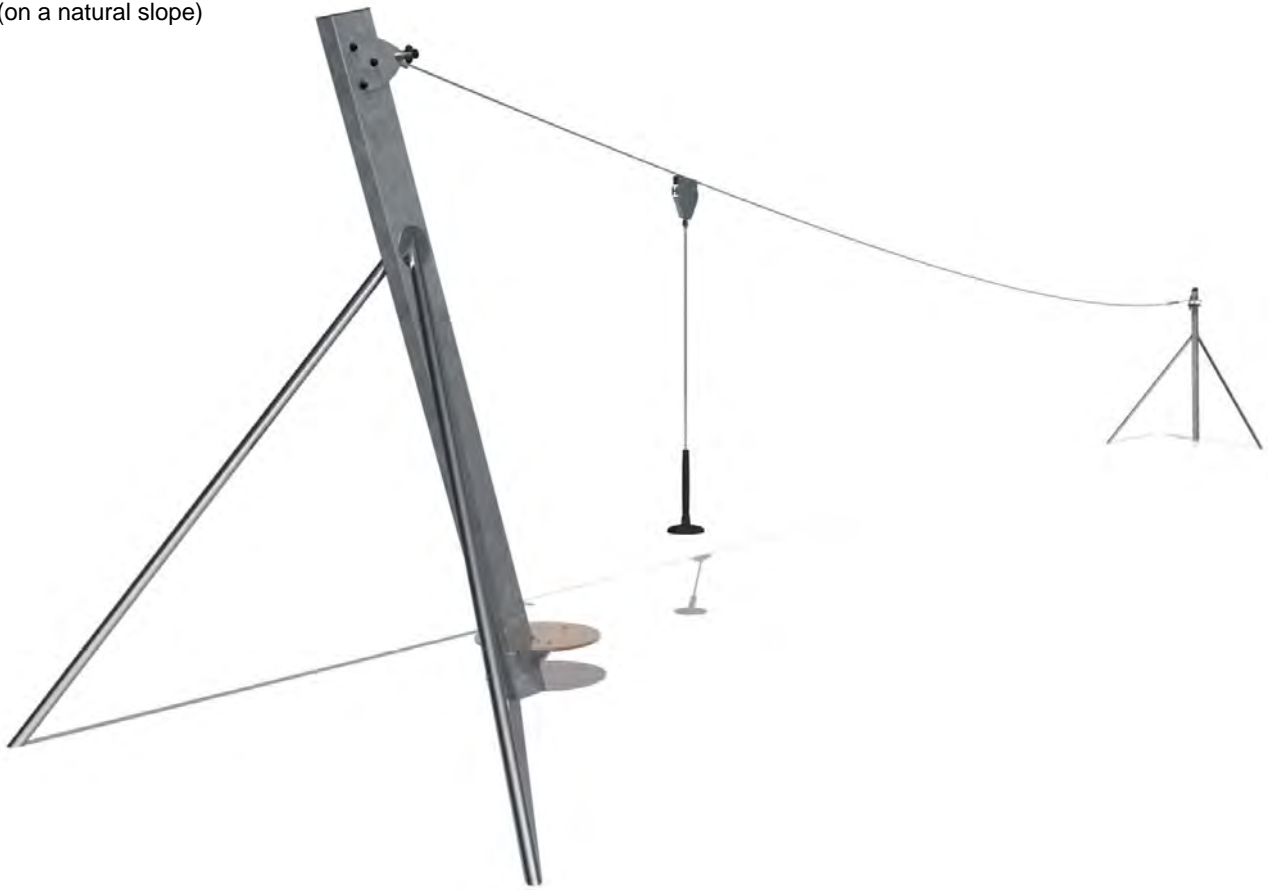
1 = 27m
 2 = 3,1m
 3 = 3,5m



Motor inclusion
 Sensory inclusion
 Mental inclusion



Cableway (on a natural slope)



Play value : **3**

sliding



x1

meeting



x1

getting across



x1

Components



Installation of equipment

Impact area =

-  Impact area
-  Free space



1	1m	102m ²
---	----	-------------------



2

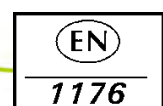
09h00

3m³

102m²

342kg

100kg



**Danny The
Dolphin Springer
-J822A**

Play Value



Rocking



Balancing



Role Play



Coordination



Inclusive



Ages: 2-10

Users: 2

Play Values: 4

Play Elements: 1



Maximum fall height

Description

Spring mounted equipment develops motor, skills, sense of balance and provides fun swinging movements. With backrests, side panels, handles and footrests, springers are accessible by children with motor impairments and enable the body to held in position during the play activity, even if they quicken the pace. This collective play experience allows several children to experience the same movements together.

Inclusive Elements



Autistic children love to bounce. It's a particularly enjoyable repetitive behaviour that can provide both soothing and stimulating sensory input. Bouncing is also a form of stimming, helping them to manage their emotions or help them to de-stress if they are feeling overwhelmed.



The rocking motion has a positive effect on the inner ear of children with hearing impairments.



The open area in front of the seats enables easier transfer.





2-10



2



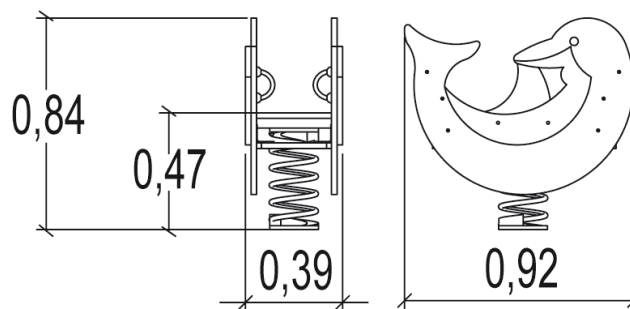
0,6m



1 = 0,92m
2 = 0,39m
3 = 0,84m



Motor inclusion
Sensory inclusion
Mental inclusion



Play value :

4

role play



x1

meeting



x1

swinging



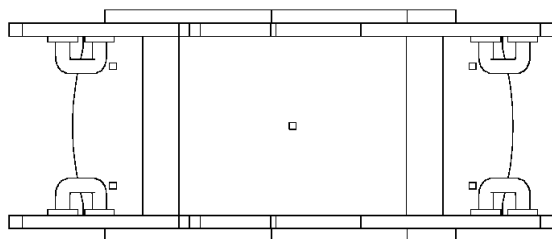
x1

balancing



x1

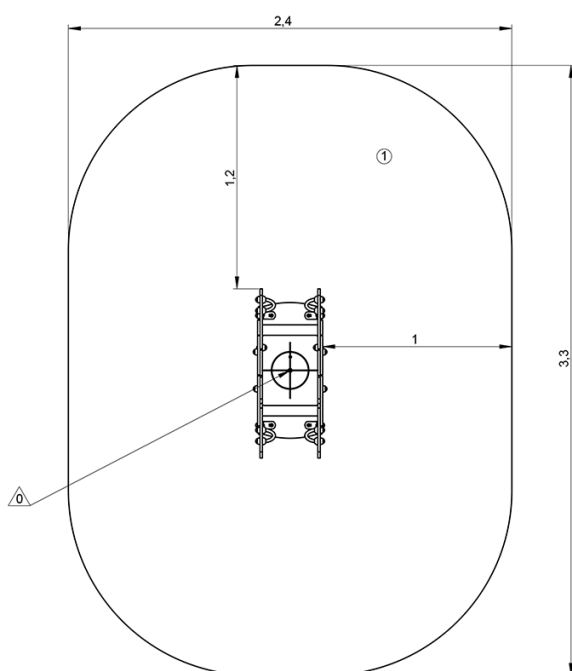
Components



Installation of equipment

Impact area =

 Impact area
 Free space



		
1	0,6m	7m ²



1

01h15

0m³

7m²

44kg

11kg

EN

1176



Play Value



Tactile



Role Play



Social Play x2



Crossing x2



Coordination



Sliding



Balancing



Resting



Climbing



Hiding



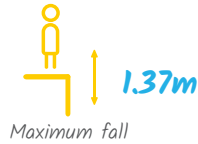
Visual Stimulation



Handling

Ages: 3+
Users: 17

Play Values: 14
Play Elements: 3



Description

Themed play equipment fires up the imagination. Children can dream of being adventurers on this Tug Boat multiplay unit. Children will be able to express themselves freely. This unit is equipped with numerous play elements designed to develop motor and fine motor skills.





3+



17



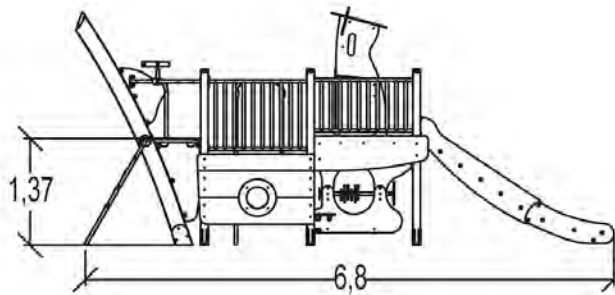
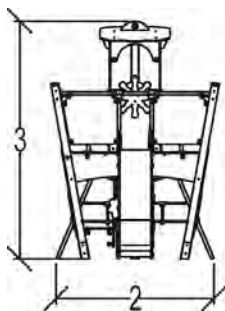
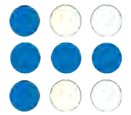
1,37m



1 = 6,9m
2 = 2,16m
3 = 3,05m



Motor inclusion
Sensory inclusion
Mental inclusion



Play value : **12**

role play



x1

sliding



x1

meeting



x2

resting



x1

handling



x1

hiding



x1

tactile stimulation



x1

visual stimulation



x1

climbing



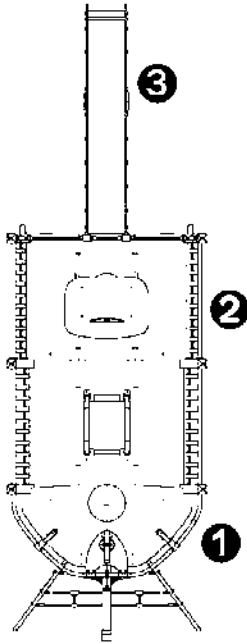
x1

getting across



x2

Components

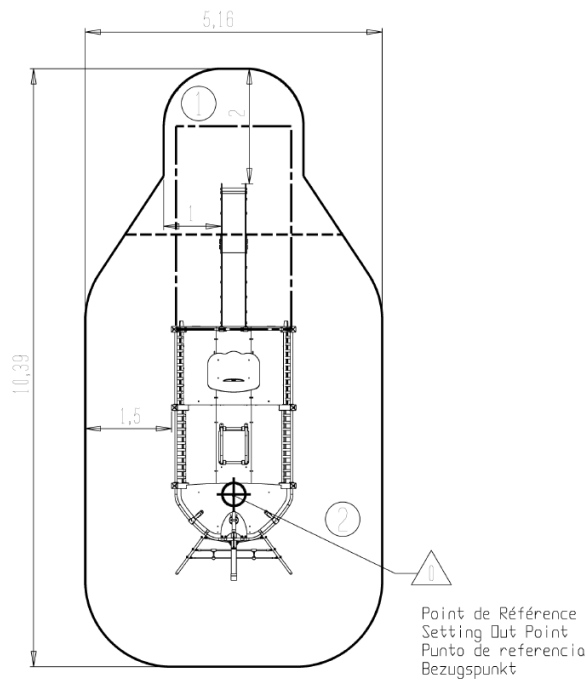


- 1 LA PROUE
- 2 LA POUPE
- 3 TOBOGGAN INOX

Installation of equipment

Impact area =

- Impact area
- Free space



1	1m	7,5m ²
2	1,37m	37,5m ²



2



32h00



0.5m³



45m²



804kg



46kg

EN

1176

**Wheelchair
Accessible
Roundabout -J2409A**

Play Value



Spinning



Social Play



Role Play



Balancing

Ages: All ages

Users: 6

Play Values: 4

Play Elements: 1



Maximum fall height



Inclusive

Description

A high quality durable and fun item which can be enjoyed by both wheelchair users and those without the need for assistance to play together. It has plenty of support, railings and seating and wheelchair space and is a great way for children of all abilities to enjoy a classic piece of play together.

Inclusive Elements



The **rotation movement** has **positive effects** on the **inner ear** of children with **hearing impairments**.






The low platform enables access by children in wheelchairs.



Roundabouts can help autistic children increase their vestibular stimulation, they can also increase the development of kinaesthetic awareness and can help them develop strength, coordination and balance. The movement can also be therapeutic.



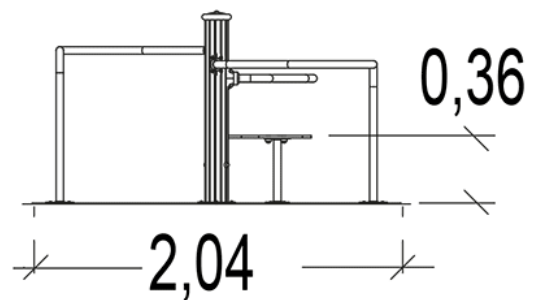
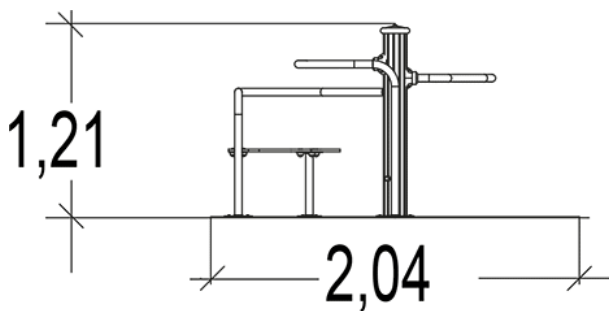
 **2+**
 **6**
 **1m**



1 = 2,1m
2 = 2,1m
3 = 1m



Motor inclusion
Sensory inclusion
Mental inclusion



Play value : **3**

meeting

balancing

rotating



x1

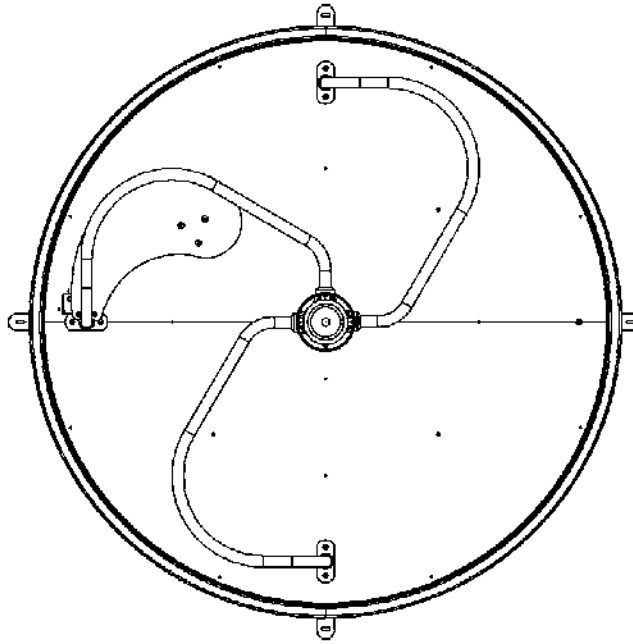


x1



x1

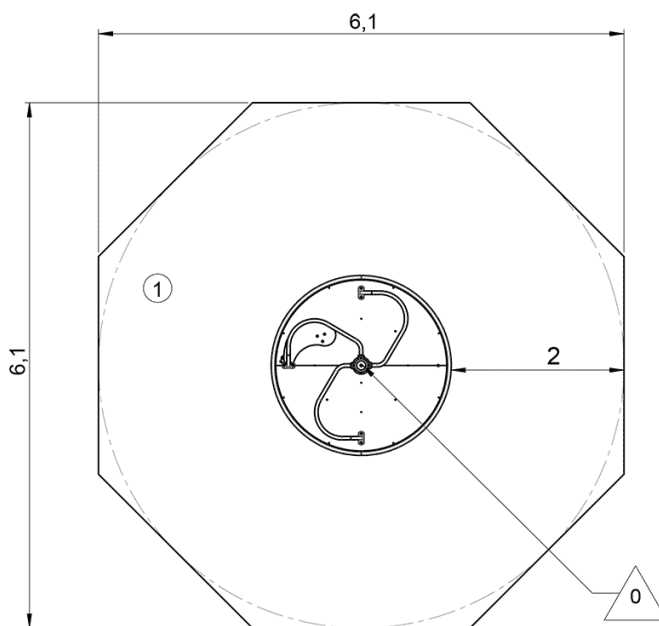
Components





Installation of equipment

Impact area =

-  Impact area
-  Free space



		
1	1m	27,5m ²



2



03h00



0.4m³



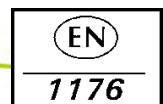
27.5m²



302kg



270kg



Play Value



Spinning



Social Play



Role Play



Rocking



Balancing



Competitive Play



Coordination

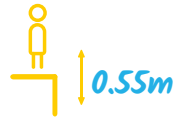


Ages: 8+

Users: 4

Play Values: 7

Play Elements: 1



Maximum fall height

Description

The original windsurf stimulator! The Rodeo Board has three powerful springs, a rotating off-set platform and a solid grip bar to defy the laws of physics and gravity. The main challenge of the Rodeo Board is finding and keeping up a constant rotation.

The unit can be used in groups of four, encouraging social interaction, or by individuals if preferred. The Rodeo Board imitates wind surfing and will physically challenge users, exercising and strengthening muscles. Contenders can compete to see who can stay on the longest!

The Rodeo Board encourages competitive play between users and **develops strength, balance and coordination**. It provides an opportunity to develop skills and encourages physical exercise.

Inclusive Elements

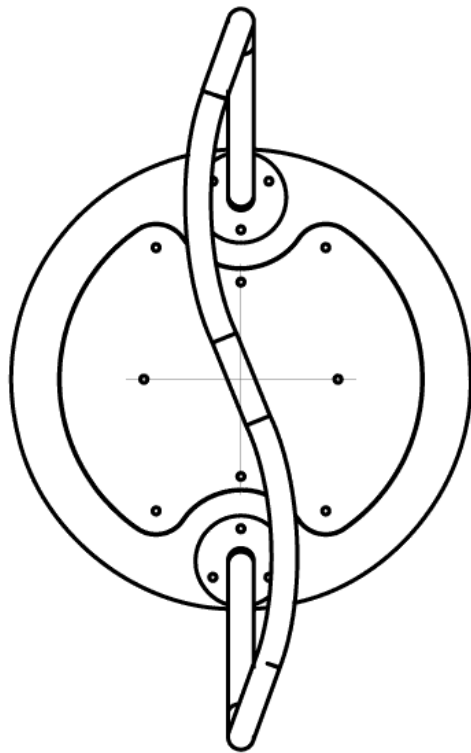


The rocking motion has a positive effect on the inner ear of children with hearing impairments.

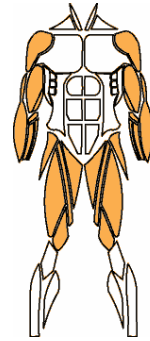




1=0.84m 2=0.84m 3=1.5m



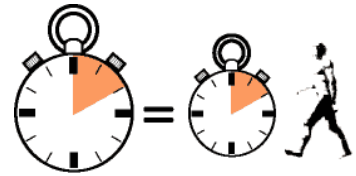
MUSCULAR STIMULATION



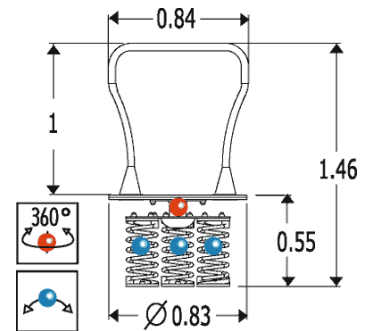
INTENSITY OF EFFORT



ENERGY EXPENDITURE



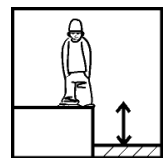
DIMENSIONS & MOVEMENTS



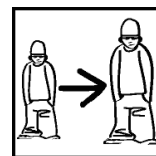
OTHER INFORMATION



4 players



HCL= 0.55m



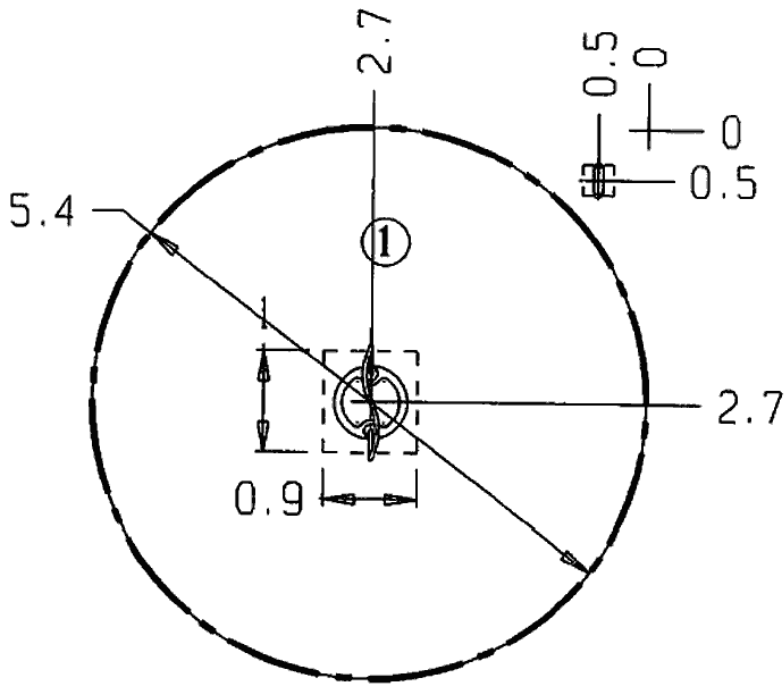
8+

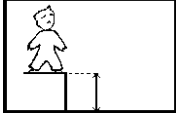
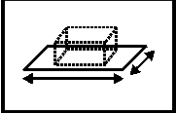
Installation of equipment

Impact area =

 Impact area

 Free space

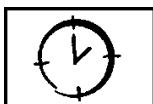


		
①	0,55m	23m ²

INSTALLATION



2

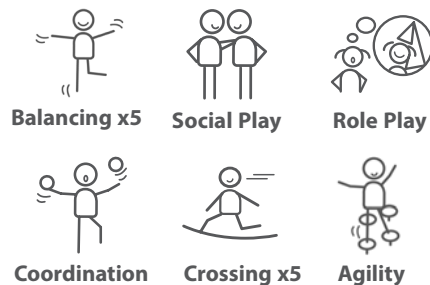
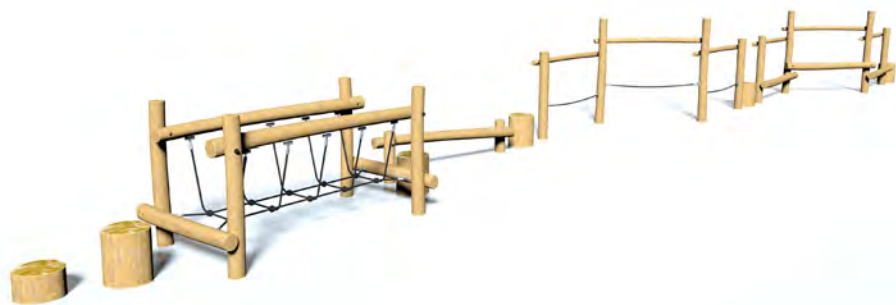


01h00

CERTIFICATIONS



Play Value



Ages: 3+
Users: 26

Play Values: 14
Play Elements: 5



Description

Our Origin range has grown from the instinctive desire children have to play and interact with the natural environment. The range captures the essence of nature by combining natural elements with clean product lines, minimal design and essential play activities, the fundamental principles of our Origin range.

This Origin Trail multiplay unit has:

- Japanese Steps
- Suspended Net
- Balance Beam
- Walkway
- Log Walkway

Children will be able to test their balance and coordination as they make their way across the trail. Who will make it to the end first without falling off?.

Inclusive Elements



A child with autism may have difficulty with balance. However, if you provide a wide range of fun balancing activities within an activity trail with different heights, widths and motion it will allow autistic children to experiment.





3+



26



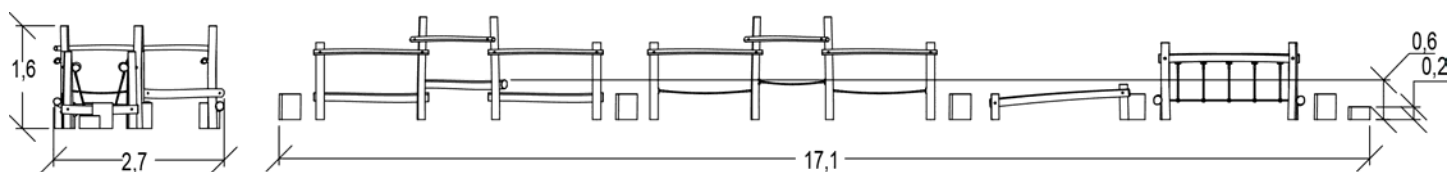
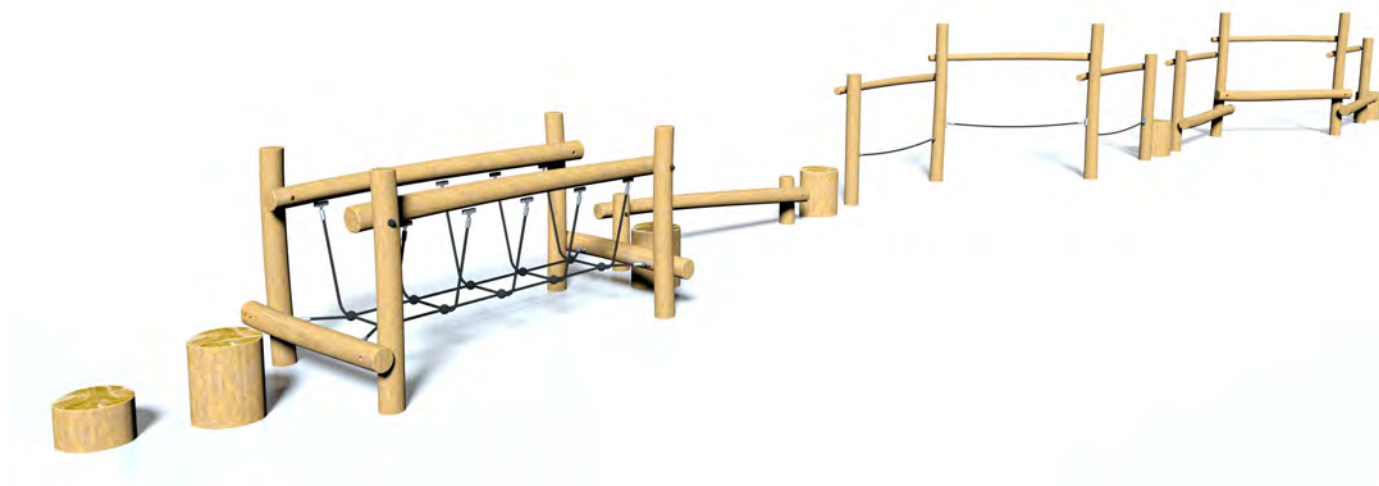
0,6m



1 = 2,65m
2 = 17,08m
3 = 1,59m



Motor inclusion
Sensory inclusion
Mental inclusion



Play value : **10**

balancing getting across

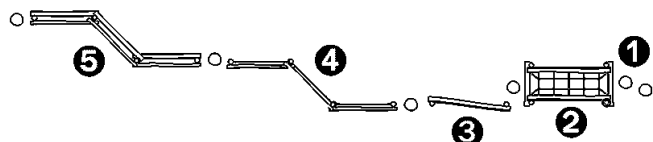


x5



x5

Components

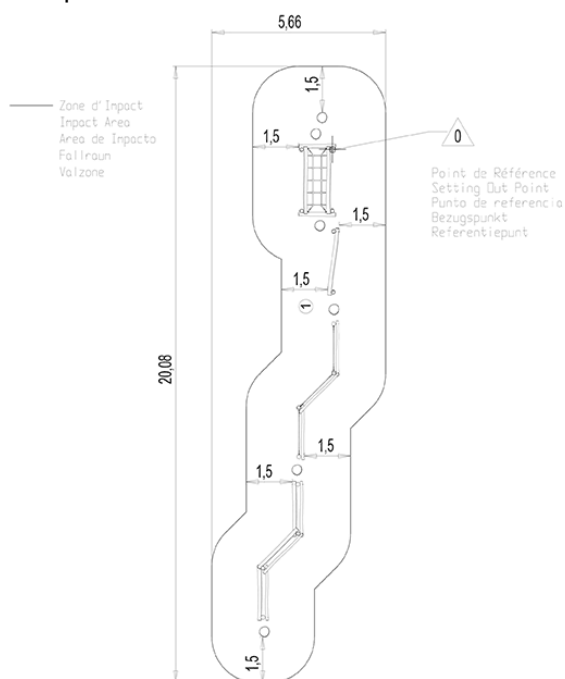


- ① LA PROUE
- ② LA POUPE
- ③ TOBOGGAN INOX
- ④ Japanese steps
- ⑤ Suspended net

Installation of equipment

Impact area =

- Impact area
- Free space



1	0,6m	75m ²
---	------	------------------



2



07h00



1.28m³



75m²



882kg



400kg



Play Value



Role Play



Social Play



Sensory visual



Educational



Handling



Inclusive

Ages: 2+
Users: 2

Play Values: 5
Play Elements: 1



Maximum fall height

Description

The musical three "bell" tree instrument is perfect for making music in the play area. The "bells" ring when struck with the attached vandal resistant beater.

Inclusive Elements



Each Bell omits a different sound stimulating hearing capacities.



Directly accessible from the ground.



Suitable for children with visual impairments.



Children with autism will encounter appropriate types of stimulation via this equipment

Product Information

FIVBT-AL-WP - Virtuoso Bell Tree with Alu Post

BS EN 1176 - Designed to British & European Standards

MATERIALS

Panels - Two Colour High Density Polyethylene (HDPE)

Post - Extruded aluminium post with powder coat finish

Bells - Stainless steel bells with brushed finish

SUPPLY METHOD

Bells - Partially assembled

Beaters - Assembled

Post - Supplied seperately

FEATURES



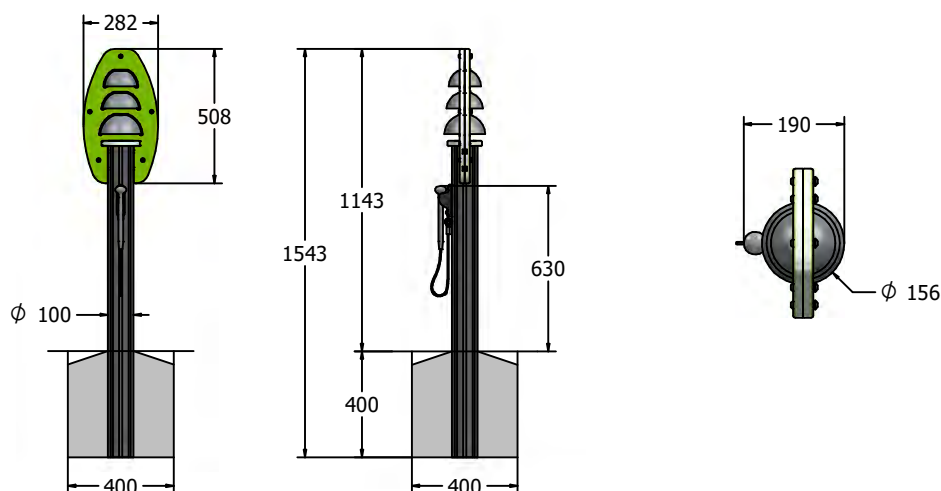
INCLUSIVE - Bells positioned at easily accessible height



MUSICAL - Set of 3 musically tuned bells



DIMENSIONS



TECHNICAL

Age Range: 2+ Years
Largest Part: Full Assembly: 1543 x 282 x 190mm
Heaviest Part: Full Assembly: 10kg
Total Weight: 10kg
Surfacing: N/A

IMPORTANT: you must specify the colour option you require at the time of order if it is different from the colour listed/shown above, requirements are subject to availability at the time of order

Additional Inclusive Item



Play Value



Rocking



Balancing



Role Play



Coordination



Social Play

Ages: 2+

Users: 6

Play Values: 5

Play Elements: 1



Maximum fall height



Inclusive

Description

All aboard, let's set sail. This collective play experience allows several children to experience the same movements together. The wide seats and side panels ensure good position retention. Spring mounted equipment develops **motor skills**, **coordination**, a **sense of balance** and provides fun swinging movements.

Inclusive Elements



The oscillating movement of the springer has a calming effect for autistic children.



The rocking motion has a positive effect on the inner ear of children with hearing impairments.



The open area at the front of the seats enables easier transfer and accessibility for children with motor impairments.



Springers

J859



2+



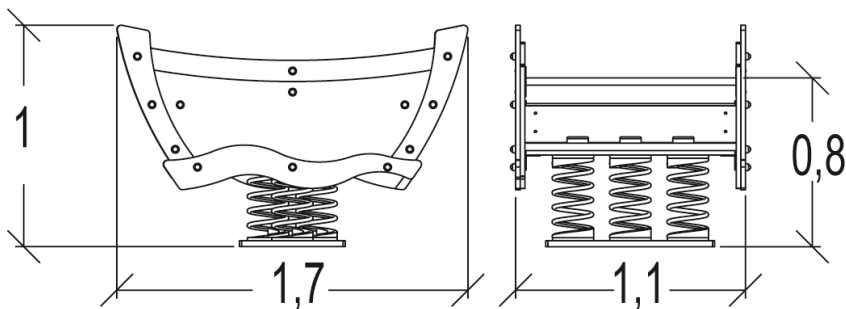
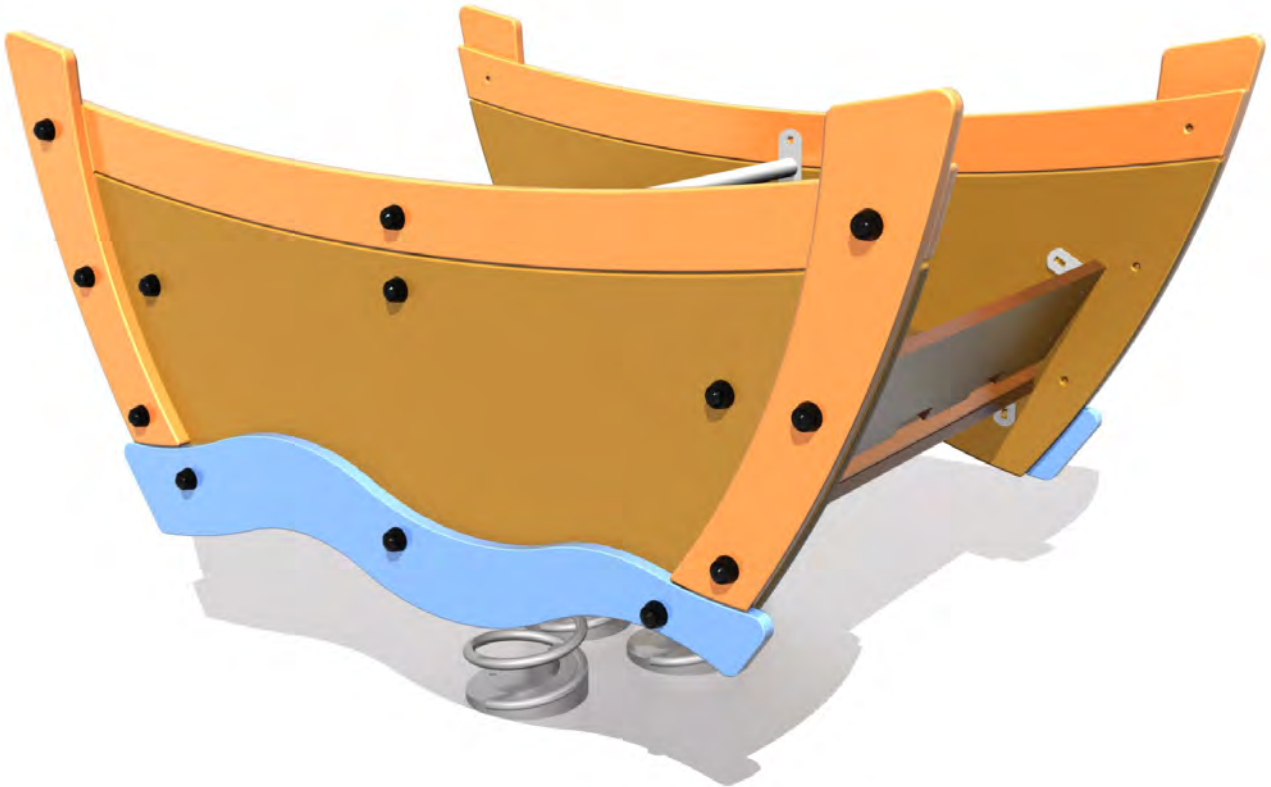
6



0,51m



1 = 1,7m 2 = 1,1m 3 = 1m



Play value

swinging



balancing



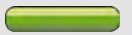
meeting / role play



Accessibility



Motor disability



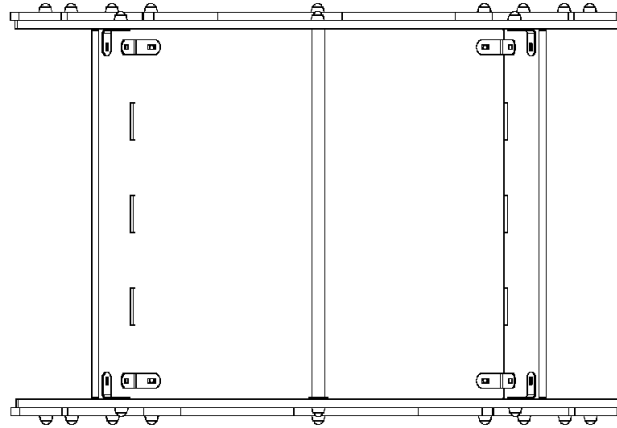
Sensorial Disabilities



Learning Disabilites



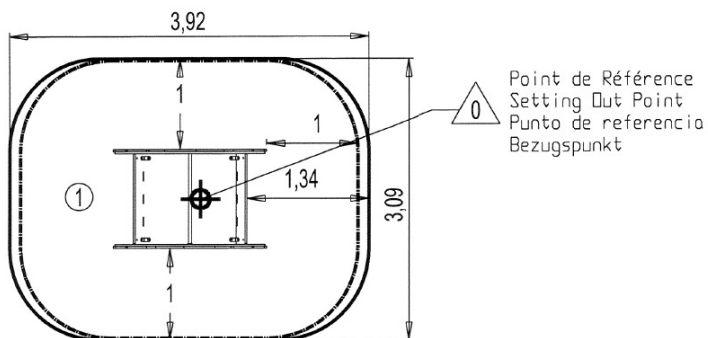
Proludic





Installation of equipment

Impact area =

-  Impact area
-  Free space



		
1	0,51m	11,5m ²



2



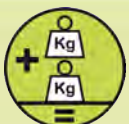
03h45



0m³



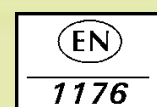
11.5m²



140kg



96kg



Proludic

2014-12-10